

## Kelsey Hayes 325 EBCM Removal / Installation Instructions

The EBCM (Electronic Brake Control Module) is mounted to the BPMV (Brake Pressure Modulator Valve) located at the left front (lower) engine compartment.

- 1) Remove the Brake Pressure Modulator Valve (BPMV). Refer to the Hydraulic Control Unit (BPMV) procedure in this section.

### EBCM Removal & Installation Procedure

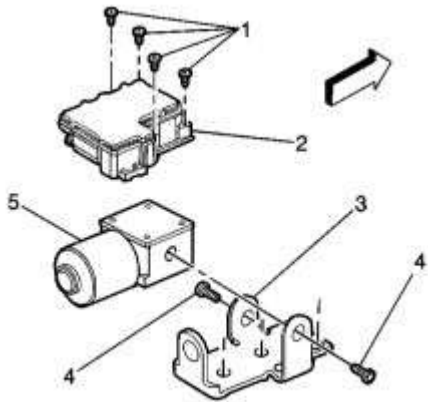


Fig. Bolts (1), EBCM (2), bracket (3), bolts (4) and BPMV (5)

- 2) Remove the 4 T-25 Torx® bolts (1) from the EBCM (2). (click image for zoom)
- 3) Disconnect the 2-way ABS pump motor connector.  
WARNING Do not use a tool to pry the EBCM or the BPMV. Excessive force will damage the EBCM.
- 4) Remove the EBCM (2) from the BPMV (5). Removal may require a light amount of force.
  - a) Do not reuse the EBCM mounting bolts. Always install new bolts.
- 5) Clean the EBCM to BPMV mounting surfaces with a clean cloth.

### To install:

- 1) Install EBCM (2) onto BPMV (5).
- 2) Install the 4 EBCM bolts (1).
  - a) Tighten the 4 bolts to 39 inch lbs. (5 Nm) in an X-pattern.
- 3) Connect the 2-way ABS pump motor connector to the EBCM.
- 4) Revise the tire calibration using the Scan Tool Tire Size Calibration function.
- 5) Use the scan tool to check and clear DTC memory.